

ESH-ARO-11A-1205 (ORDER NO. 109409)

Safety hinge ESH re-adjustable

- ▶ Safety hinge with integrated safety function
- ▶ Operating point can be readjusted
- ▶ Ideal use with hinged doors
- ▶ Suitable for profile mounting
- ▶ Connection via plug connector M12



Description

The safety hinges ESH are safety devices for monitoring movable guards, such as doors or covers on machinery or systems.

On the safety hinges ESH-ARO... the operating point can be adjusted as often as necessary.

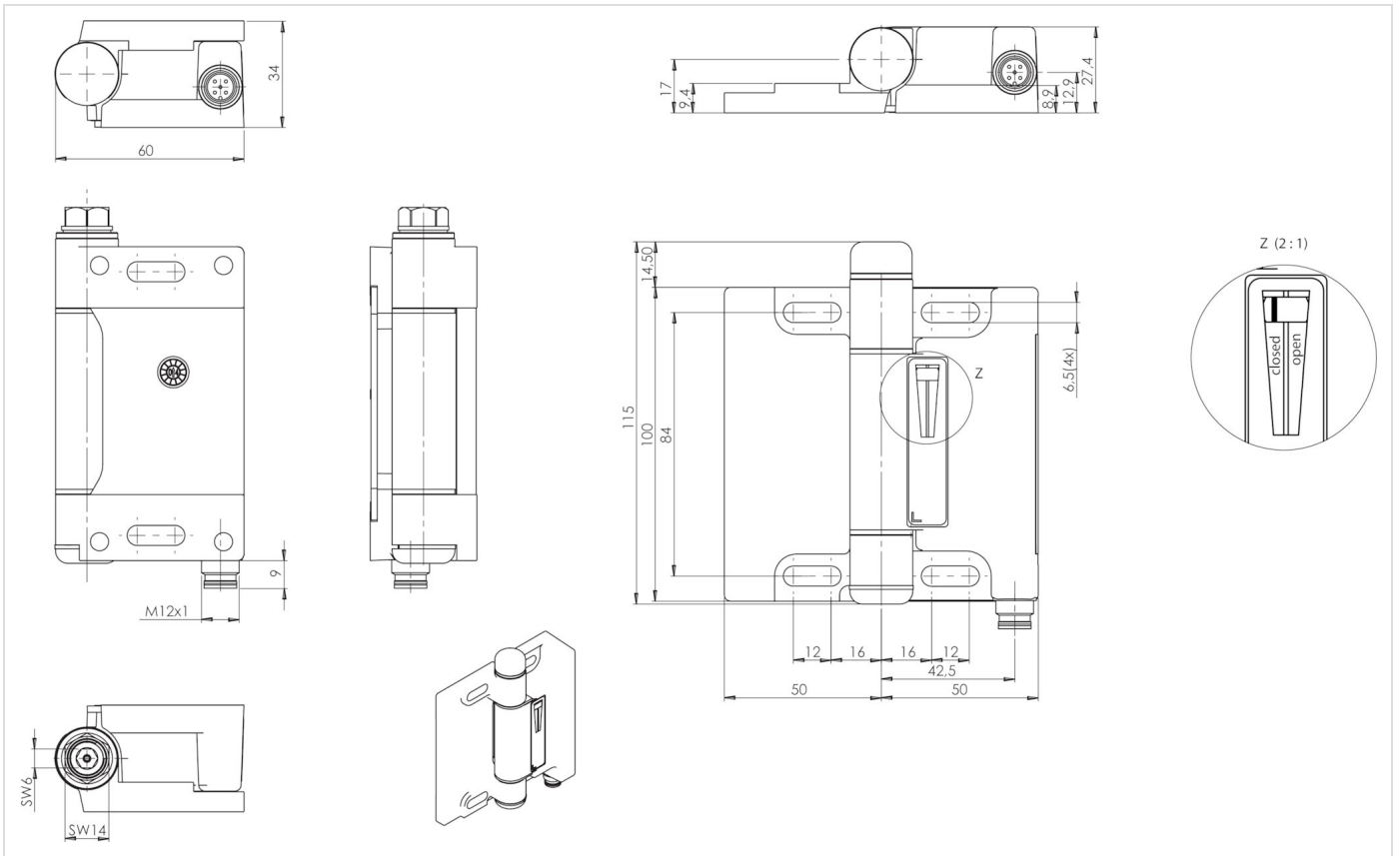
Important:

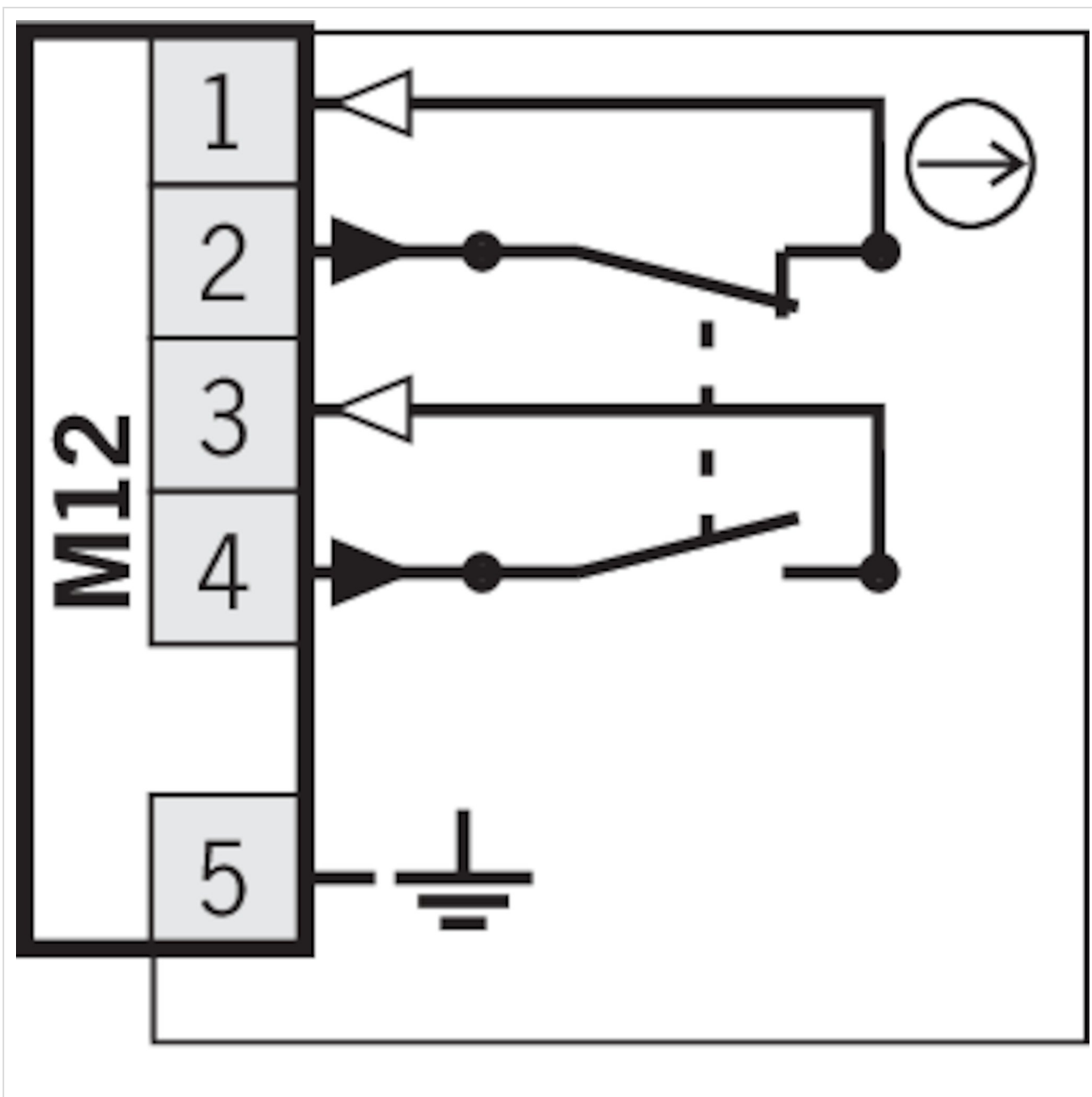
During mounting the axes of the hinges used must be exactly aligned.

Switching element

11 Snap-action switching contact 1NC \rightarrow +1NO

Dimension drawing





Technical data

Approvals



Mechanical values and environment

Housing material

	Housing	Die-cast zinc, nickel-plated
Weight	Net	0,8 kg
Ambient temperature		-25 ... 70 °C
Degree of protection		IP67
Mechanical life		1 x 10 ⁶
Max. load as per mechanical life test according to EN 1935		Grade 12 (100kg door weight)
Contact material		Silver
Switching principle		Snap-action switching contact
Installation orientation		Any
Number of door position positively driven contacts		1
Number of NO contacts		1
Actuation frequency		max.1200 1/h
Operating point		4° from fixing point
Positively driven		Approx. 10° from fixing point
Pivoting angle		-10 ... 180 °

Electrical connection ratings

Thermal rated current I _{th}		3 A
Utilization category acc. to EN 60947-5-1		
	AC-15	1.5A 30V
	DC-13	2.0A 24V
Short circuit protection according to IEC 60269-1		2A gG
Rated insulation voltage U _i		60 V
Rated impulse withstand voltage U _{imp}		2,5 kV
Switching current		
	at 24V	min.1 mA
Degree of contamination (external, according to EN 60947-1)		
	Industry	3

Accessories

Connection material

Connection cable with angled plug connector M12, 5-pin, 5m



073462
C-M12F05-05X050PU05,0-GA-073462

- ▶ M12 female plug, 4-pin + PE
- ▶ Angled plug connector
- ▶ PUR cable
- ▶ Halogen-free
- ▶ Cable length 5 m
- ▶ With flying lead
- ▶ Cores color-coded

Connection cable with straight plug connector M12, 5-pin, 5m

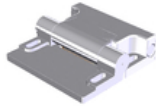


073461
C-M12F05-05X050PU05,0-GA-073461

- ▶ M12 female plug, 4-pin + PE
- ▶ Straight plug connector
- ▶ PUR cable
- ▶ Halogen-free
- ▶ Cable length 5 m
- ▶ With flying lead
- ▶ Cores color-coded

Function expansion

ESH matching hinge (without safety function)



096007
ESH-PRO

Contacts

🏠 EUCHNER GmbH + Co. KG
Kohlhammerstraße 16
70771 Leinfelden-Echterdingen

☎ +49 711 7597-0

📠 +49 711 753316

✉ info(at)euchner.de